

WELLHEAD CONTAINMENT COLLAR

Patent Pending



Stop Leaks Before they Happen

Our patent pending Wellhead Containment Collar is designed to seal and isolate external leaks or potential leak paths in exposed casing strings. This system provides an economical means of sealing external leaks that may have developed over the life of the well.

The device wraps around the area of concern and once bolted in place, it can be tested through provided test ports. This collar is custom made per each installation and can be tested and monitored throughout the life of your well.

Please call your UWS sales rep for more details on how we can help you save money and prevent/stop external leaks.

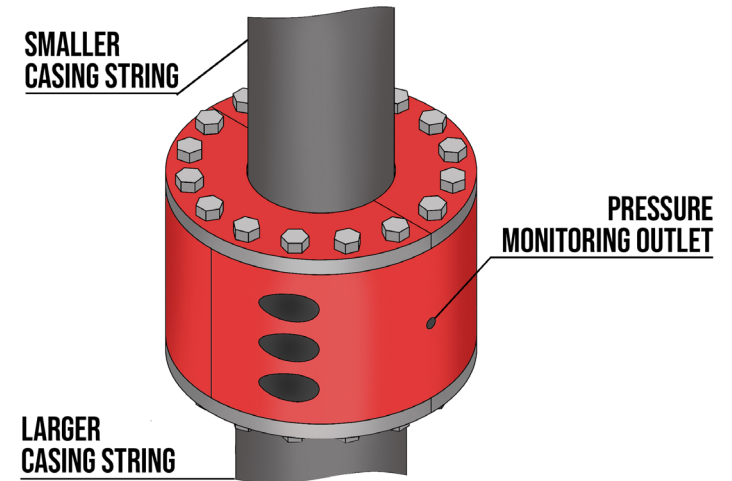


FIG. 1

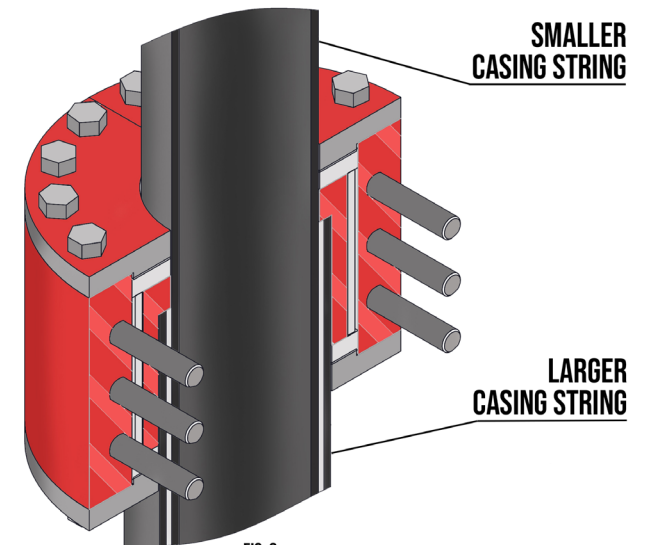


FIG. 2

WWW.UNIVERSALWELLHEAD.COM | (318) 779-1829 | INFO@UNIVERSALWELLHEAD.COM

CORPUS CHRISTI, TX
5729 Leopard St., Bldg. 9
Corpus Christi, TX 78408

HOUSTON, TX
6401 Cunningham Rd.
Houston, TX 77041

ODESSA, TX
1541 Windcrest
Odessa, TX 79763

SHREVEPORT, LA
1710 N. Hearne Ave.
Shreveport, LA 71107

NEWCOMERSTOWN, OH
126 New Pace Rd.
Newcomerstown, OH 43832